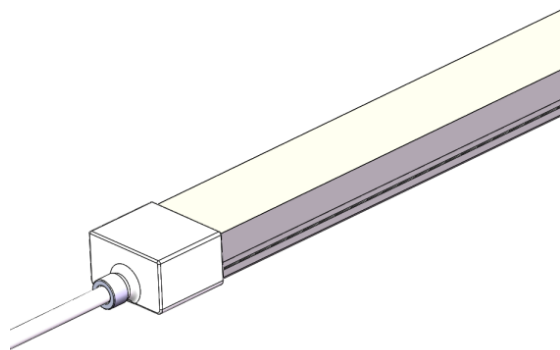


WK3218T The Reliable LED Flexible Neon Solution



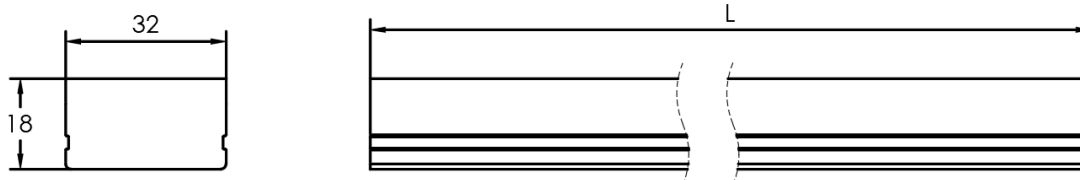
1. Features

- ✧ Top bending and top lighting product
- ✧ Lumileds 2835 LED Optional
- ✧ Dual-color silicone extrusion
- ✧ UV and yellowish resistant
- ✧ IP67 and salt-mist proof
- ✧ L70B50 > 50,000hrs
- ✧ UL 94 V-0
- ✧ Easy installation and re-connect accessories
- ✧ Min. bending radius 20 cm

2. Applications

- ✧ lighting engine for special linear luminaires
- ✧ Shelf lighting, Freezer and cooler lighting
- ✧ Building and sign outline lighting
- ✧ General and cove lighting
- ✧ Ships, boats and trucks outline lighting
- ✧ Bathroom, spa room lighting

3. Dimensions



Notes:

1. Unit: mm
2. L = 10meters for 24V products in standard configuration

4. Environmental and Application Conditions

Ambient temperature range (Ta on free air)	-40°C ~ +55°C
Operating (case) temperature range (Tc)	-40°C ~ +65°C
Storage temperature range	-40°C ~ +85°C
IP rating	IP67

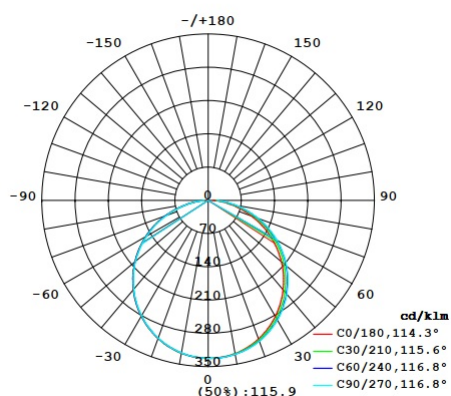
WK3218T General Specification

5. Electrical parameters

Item	3218T-White	3218T-DMX-White	3218T-DMX-RGBW
Supply voltage range	24.0±1.0 VDC	24.0±1.0 VDC	24.0±1.0 VDC
Supply Current range (per meter)	Typ.1000mA	Max. 720mA	Max. 720mA
Power range (per meter)	Typ. 24W	Max. 17.3W	Max. 17.3W
ESD protection	Contact 4KV, Air 8KV		
Max. length for single end power-in	10 meters	5mtrs	5mtrs
Max. length for two ends power-in	15 meters	10mtrs	10mtrs
Cutting unit length	100mm	10mm	10mm
IC type for Control	N.A	DMX 512, 10pixels/m	DMX 512, 10pixels/m

6. Optical parameters (ta=25°C)

Part No.	Colorimetric Parameters			Product Flux
	Color	Value	CRI	Typ. lm/mtr
3218T-White	White	6500K	Ra. 80	1450
	White	5000K	Ra. 80	1450
	White	4000K	Ra. 80	1450
	White	3000K	Ra. 80	1380
	White	2700K	Ra. 80	1380
3218T-DMX-White	White	6500K	Ra. 80	1100
	White	5000K	Ra. 80	1100
	White	4000K	Ra. 80	1100
	White	3000K	Ra. 80	1050
	White	2700K	Ra. 80	1050
3218T-DMX-RGBW	White	2700-6500K	Ra. 80	275
	Red	622.5nm	N.A	75
	Green	525nm	N.A	165
	Blue	467.5nm	N.A	30

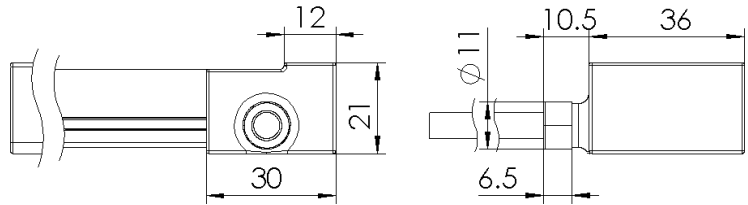
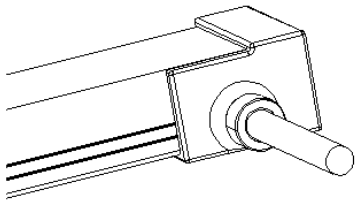


WK3218T General Specification

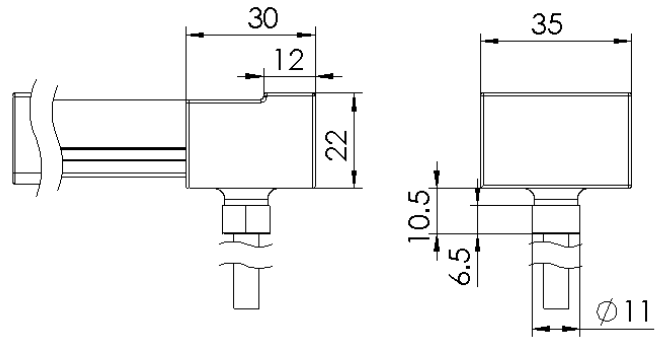
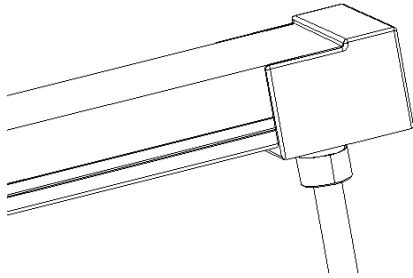
7. Connectors

7.1 IP67 power feed and end cap by molding

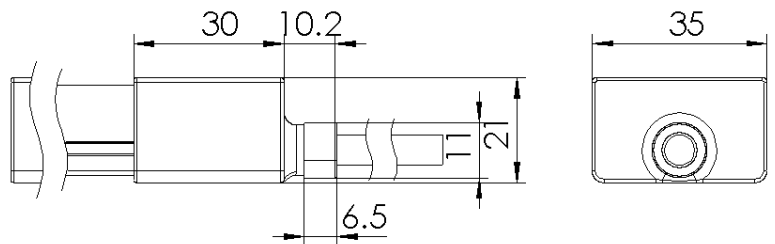
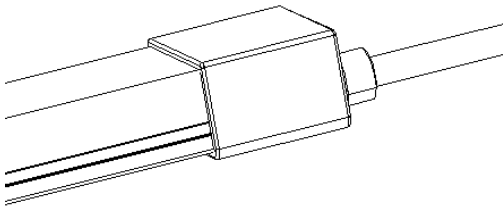
Side feeder



Bottom feeder



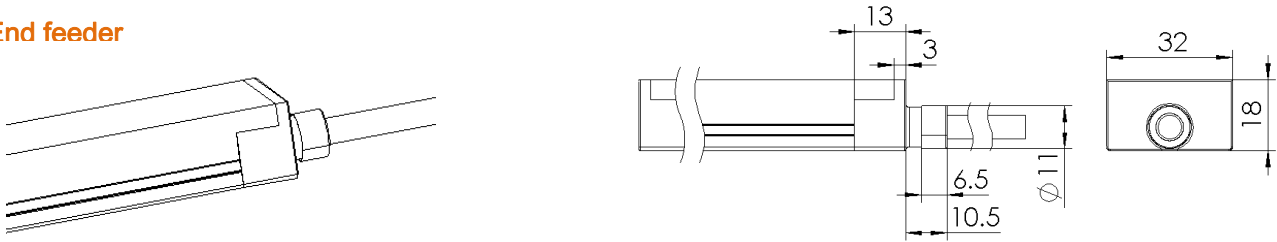
End feeder



WK3218T General Specification

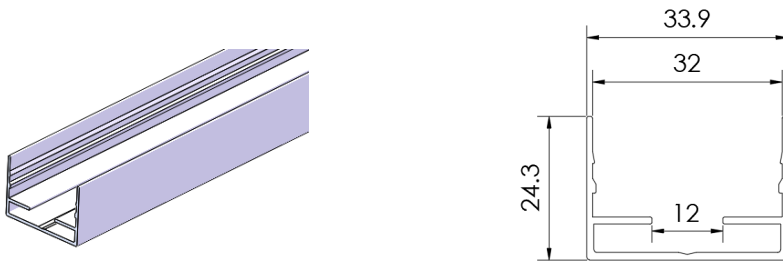
7.2 IP67 power feed and end cap by injection

End feeder



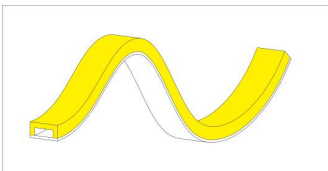
8. Installation accessories

Type 1, AL profile for outdoor application (1meter per pcs, can be cut to certain length needed)



9. Attention

- The LED neon itself and all its components may not be mechanical stressed.
- Please ensure that the power supply is adequate power to operate the total load. Only qualified personnel should be allowed to perform installations.
- The design of the housing should be according to the IP standards in the application.
- If surge protection structure not within power supplier, a lightning protector should be needed additionally.
- Before cutting and making reconnection, please read the user manual, and please ensure you have read and fully understand it.
- Please do not twist the product and do not bend it in wrong direction, the only bending direction as following:



10. Package

- 10 meters LED neon and 1 set of additional connectors and clips in one inner box
- 6 inner boxes in one carton (57.5x49.5x26.5cm, 24.5kg)

