

WK3020M The Reliable LED Flexible Wall Washer Solution



1. Features

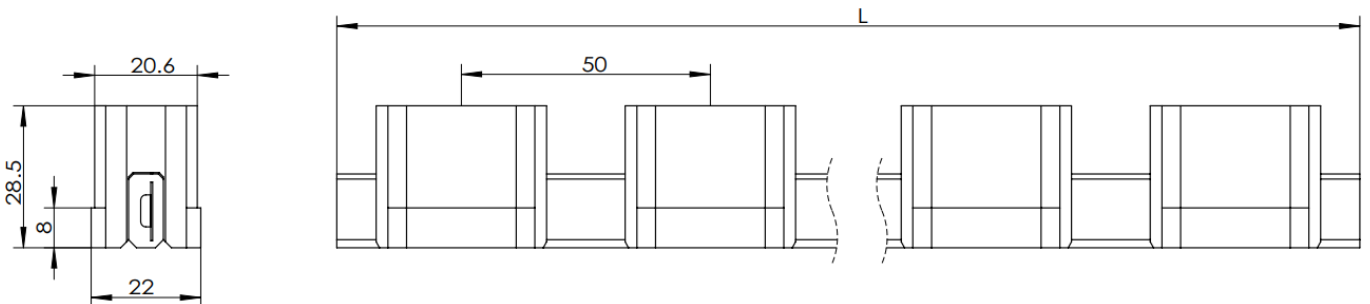
- ✧ Side bending and top lighting product
- ✧ Brand LED optional
- ✧ Silicone + AL modular housing
- ✧ UV resistant PC lens
- ✧ IP67 for outdoor application
- ✧ L70B50 > 50,000hrs
- ✧ Various accessories for installation
- ✧ Optional beam angles: 20° 30° 45° 60° ,20X45 °

- ✧ Min. bending radius 10 cm

2. Applications

- ✧ Outdoor and indoor wall washer lighting

3. Dimensions



Notes:

1. Unit: mm

4. Environmental and Application Conditions

| | |
|--|---------------|
| Ambient temperature range (Ta on free air) | -40°C ~ +55°C |
| Operating (case) temperature range (Tc) | -40°C ~ +65°C |
| Storage temperature range | -40°C ~ +85°C |
| IP rating | IP67 |

WK3020M General Specification

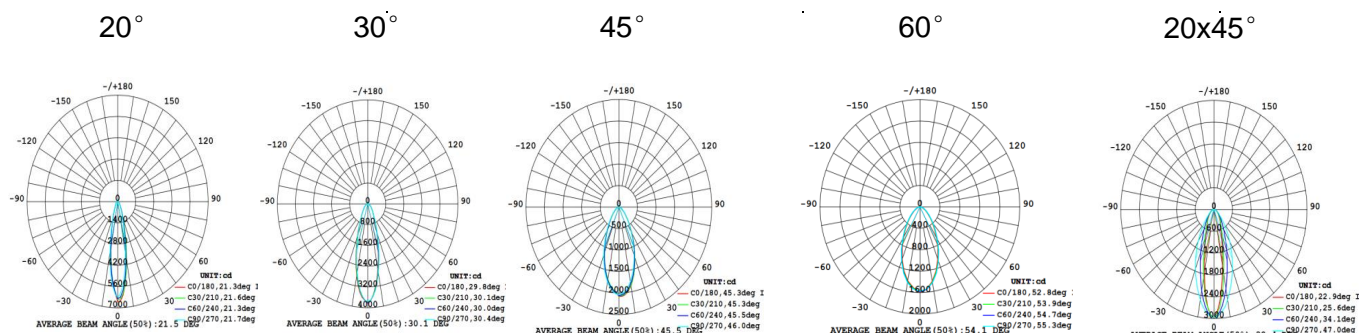
5. Electrical parameters

| Item | WK3020M-24W | WK3020M-36W |
|----------------------------------|----------------------|----------------------|
| Supply voltage range | 24.0 ± 1.0 VDC | 24.0 ± 1.0 VDC |
| Supply Current range (per meter) | Typ.1000mA | Typ.1500mA |
| Power range (per meter) | Typ. 24W | Typ. 36W |
| ESD protection | Contact 4KV, Air 8KV | Contact 4KV, Air 8KV |
| Max. length | 2.4 meters | 2.4 meters |
| LED Qty and pitch | 20LEDs/m, P: 50mm | 20LEDs/m, P: 50mm |
| Cutting unit length | 150mm (3LEDs) | 300mm (6LEDs) |

6. Optical parameters (ta=25°C)

| Part No. | Colorimetric Parameters | | Typ. Lumen (lm/m) | CRI |
|-------------|-------------------------|-------|-------------------|-----|
| | Color | Value | | |
| WK3020M-24W | White | 5000K | 1560 | 80 |
| | White | 4000K | 1560 | 80 |
| | White | 3000K | 1510 | 80 |
| | White | 2700K | 1450 | 80 |
| WK3020M-36W | White | 5000K | 2240 | 80 |
| | White | 4000K | 2240 | 80 |
| | White | 3000K | 2160 | 80 |
| | White | 2700K | 2080 | 80 |

Optional Beam angles:

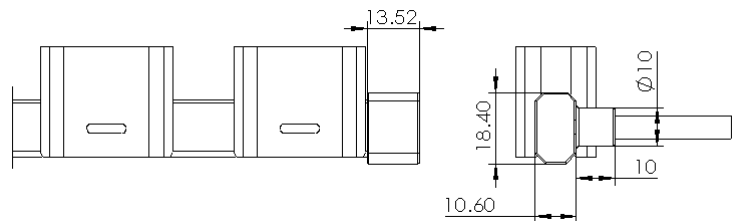
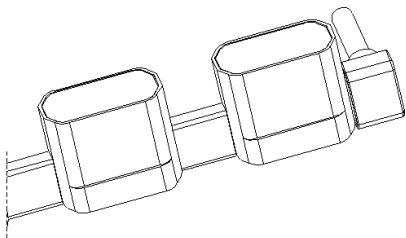


WK3020M General Specification

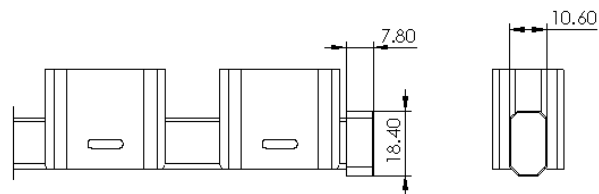
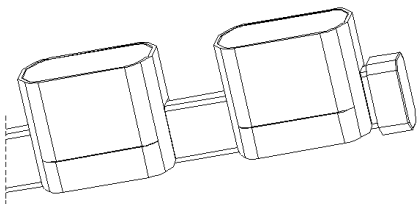
7. Connectors

IP67 power feed and end cap by molding

Side feeder

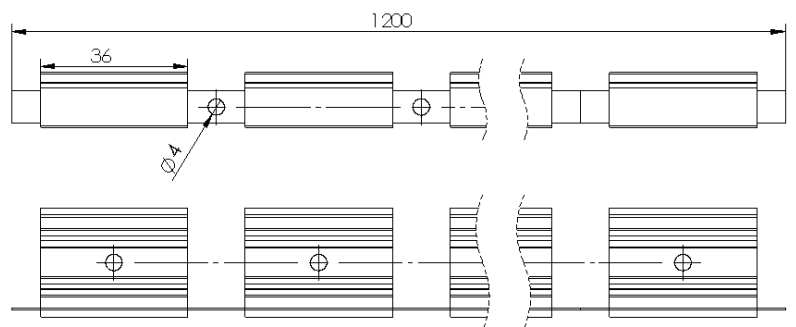
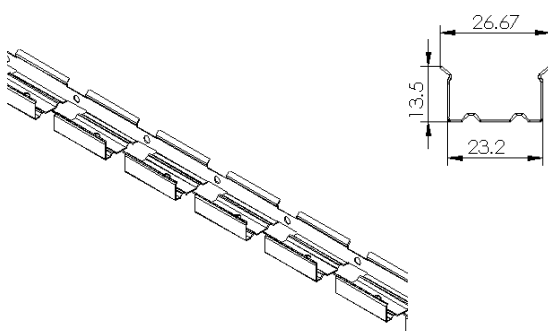


End cap



8. Installation accessories

Type 1, Stainless installation chain (1.2mtr per pcs)



WK3020M General Specification

- a. The LED wall washer itself and all its components may not be mechanical stressed.
- b. Please ensure that the power supply is adequate power to operate the total load. Only qualified personnel should be allowed to perform installations.
- c. The design of the housing should be according to the IP standards in the application.
- d. The LED wall washer can light up 3.5meter wall, when the distance between LED wall washer and wall is 20cm;
- e. The optimal distance between LED wall washer and wall is 10~40cm;
- f. If surge protection structure not within power supplier, a lightening protector should be needed additionally.
- g. Before cutting and making reconnection, please read the user manual, and please ensure you have read and fully understand it.
- h. Please do not twist the product and do not bend it in wrong direction, the only bending direction as following:

