

## WK3020M RGBW The Reliable LED Flexible Wall Washer Solution

### 1. Features

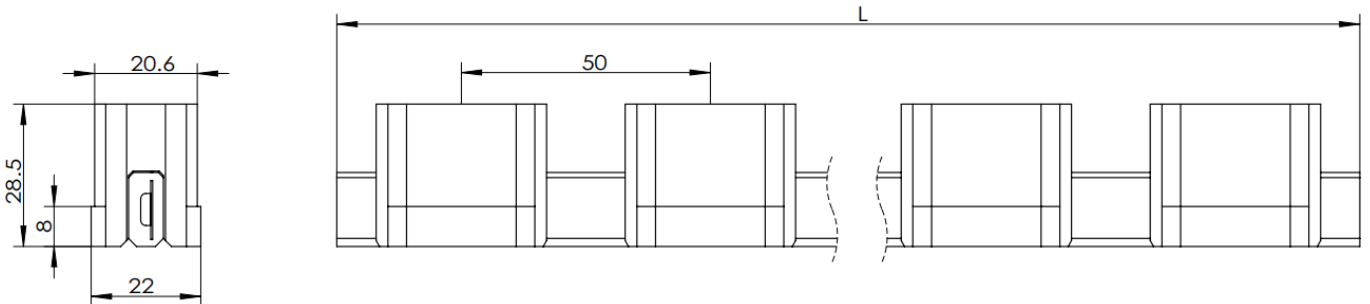
- ✧ Side bending and top lighting product
- ✧ 4 in 1 RGBW LED inside
- ✧ Silicone + AL modular housing
- ✧ UV resistant PC lens
- ✧ IP67 for outdoor application
- ✧ L70B50 > 50,000hrs
- ✧ Various accessories for installation
- ✧ Optional beam angles: 20° 30° 45° 60°, 20X45°
- ✧ Min. bending radius 10 cm

### 2. Applications

- ✧ Outdoor and indoor wall washer lighting



### 3. Dimensions



Notes:

1. Unit: mm

### 4. Environmental and Application Conditions

Ambient temperature range (Ta on free air)	-40°C ~ +55°C
Operating (case) temperature range (Tc)	-40°C ~ +65°C
Storage temperature range	-40°C ~ +85°C
IP rating	IP67

# WK3020M RGBW General Specification

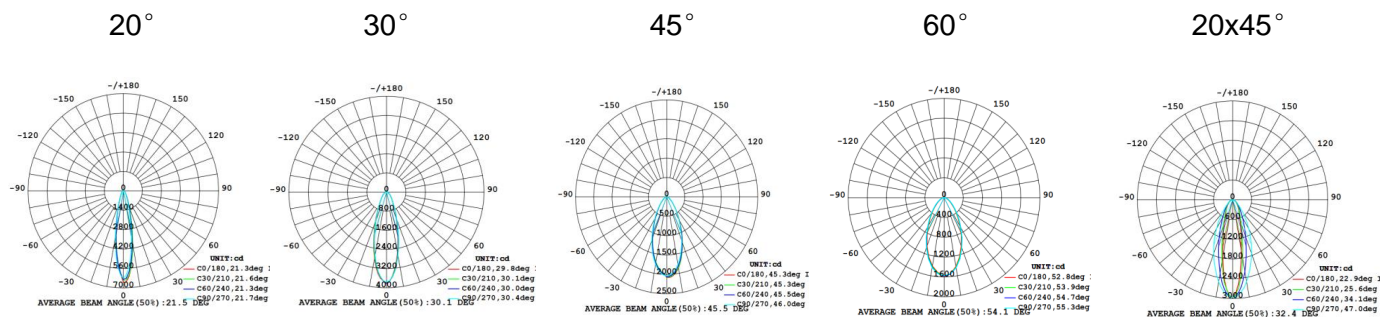
## 5. Electrical parameters

Item	RGBW	DMX RGBW
Supply voltage range	24.0±1.0 VDC	24.0±1.0 VDC
Supply Current range (per meter)	Typ.1000mA	Typ.1000mA
Power range (per meter)	Typ. 24W	Typ. 24W
ESD protection	Contact 4KV, Air 8KV	Contact 4KV, Air 8KV
Max. length	2.4 meters	2.4 meters
LED Qty and pitch	20LEDs/m, P: 50mm	20LEDs/m, P: 50mm
Cutting unit length	300mm (6LEDs)	300mm (6LEDs)
Length per Pixels	N. A	300mm
IC Type	N.A	SM18522

## 6. Optical parameters (ta=25°C)

Part No.	Colorimetric Parameters		Typ. Lumen (lm/m)	Full on
	Color	Value		
WK3020M-RGBW	Red	625nm	138	827
	Green	525nm	345	
	Blue	465nm	56	
	White	3000K@Ra80	288	
WK3020M-DMX-RGBW	Red	625nm	138	827
	Green	525nm	345	
	Blue	465nm	56	
	White	3000K@Ra80	288	

Optional Beam angles:

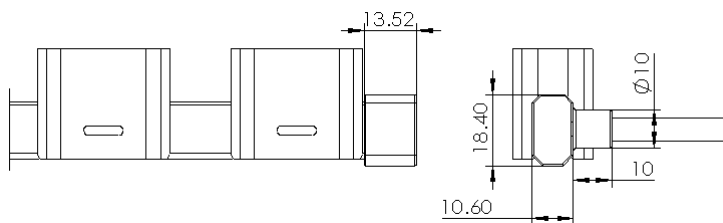
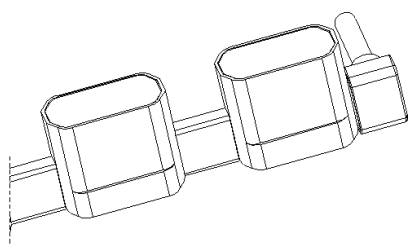


# WK3020M RGBW General Specification

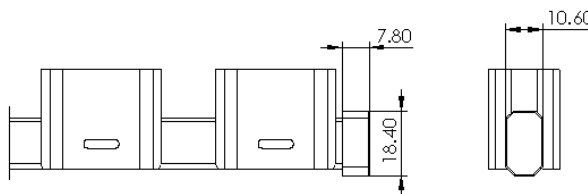
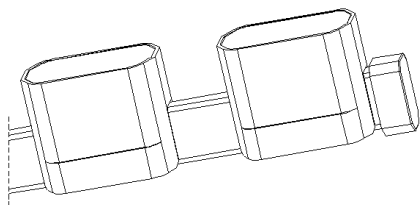
## 7. Connectors

IP67 power feed and end cap by molding

### Side feeder



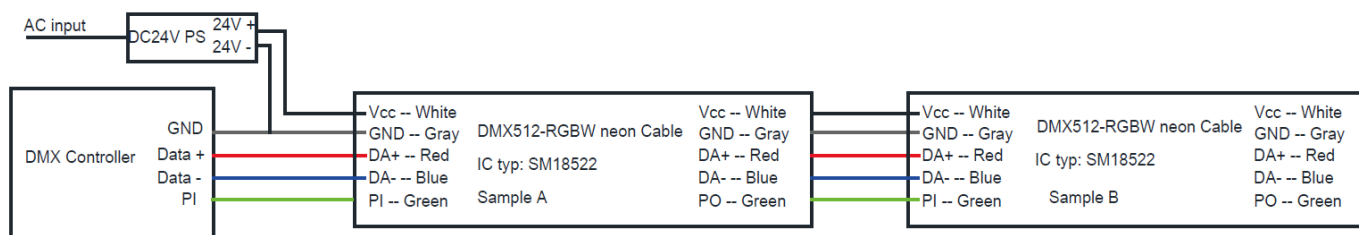
### End cap



## 8. Wire connection

DMX512 wire information:

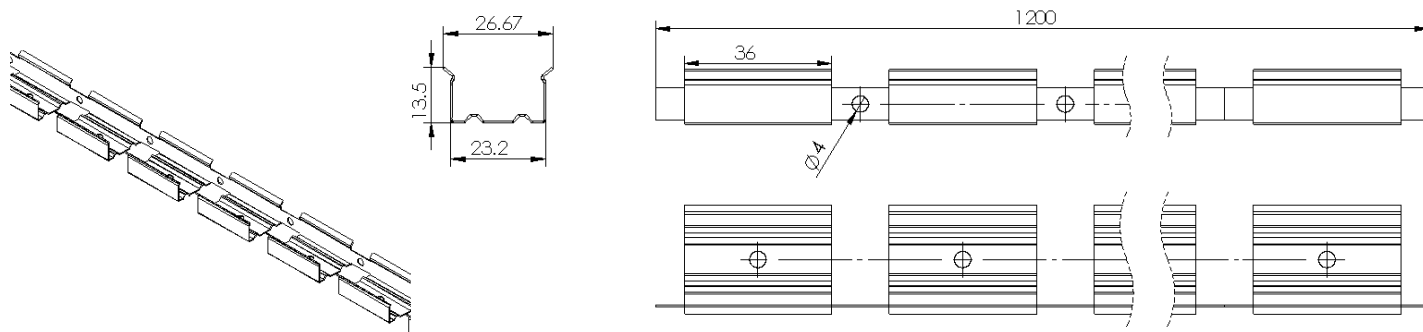
Cable: White for Vcc, Blue for DA-, Red for DA+, Green for PI, Gray for GND



# WK3020M RGBW General Specification

## 9. Installation accessories

Type 1, Stainless installation chain (1.2mtr per pcs)



## 10. Attention

- a. The LED wall washer itself and all its components may not be mechanical stressed.
- b. Please ensure that the power supply is adequate power to operate the total load. Only qualified personnel should be allowed to perform installations.
- c. The design of the housing should be according to the IP standards in the application.
- d. The LED wall washer can light up 3.5meter wall, when the distance between LED wall washer and wall is 20cm;
- e. The optimal distance between LED wall washer and wall is 10~40cm;
- f. If surge protection structure not within power supplier, a lightning protector should be needed additionally.
- g. Before cutting and making reconnection, please read the user manual, and please ensure you have read and fully understand it.
- h. Please do not twist the product and do not bend it in wrong direction, the only bending direction as following:

