



# Downlight HALO series 10W WK-CL10WA88



### Product parameter

- LED power : 9W(30vDC 300mA/36V 250mA)
- Lamp consumption : 10.6W
- Inner bezel : X/D/T
- Input voltage : 200-240vAC(PF>0.9)
- UGR : 8-12
- Size :  $\phi 88 \times H65$ mm(cutout: $\phi 75-80$ mm)
- Life span : 50,000 hrs
- Warranty : 5 years
- Beam angle : 15°/24°/36°/60°
- Color of frame : white, black,customized



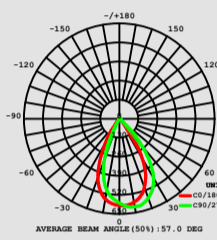
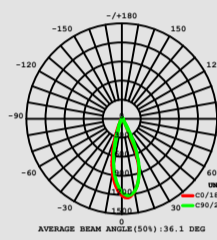
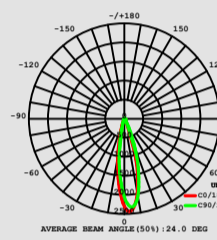
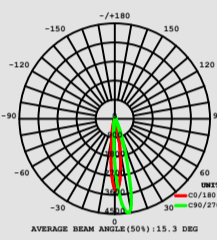
### Dimmable

Single color dimmable TRIAC/0-10V/DALI 1800-3000k dim to warm TRIAC/0-10v

2700k 3000k 3500k 4000k 5000k 6000k 1800k-3000k

2700-6000K tunable 2.4G/DALI DT8/Casambi RGBW DMX512/ TUJA

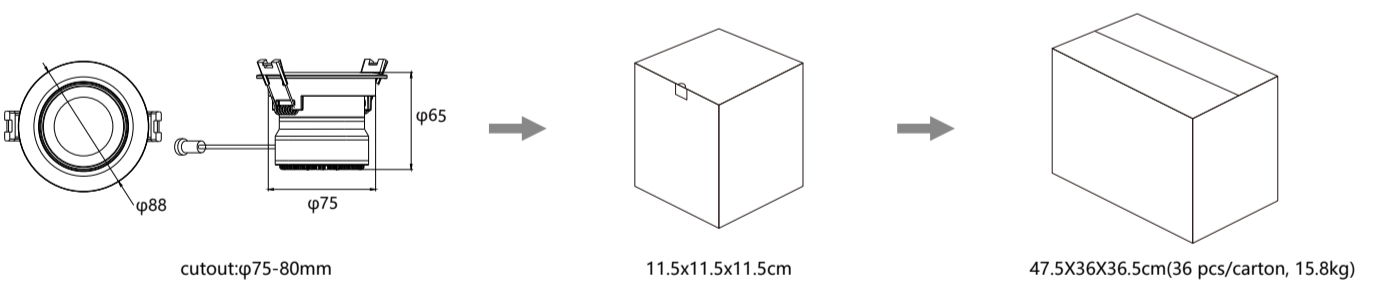
2700k-6000k



### Datasheet

Part No.	COB brand	CCT	Output			Beam angle
			CRI80	CRI90	CRI96	
WK-CL10WA88E	GOSUN 1202	2700K-7000K single color	900-1000lm	800-900lm	750-800lm	15°/24°/36°/60°
WK-CL10WA88B	Bridgelux V6		850-900lm	750-800lm	670-720lm	
WK-CL10WA88C	GOSUN 1002		no	720-780lm	650-700lm	
WK-CL10WA88D	Bridgelux	1800-3000k dim to warm	no	650-750lm	600-650lm	
WK-CL10WA88T	TYANSHINE	2700-5700k CCT tunable	no	550-750lm	no	
WK-CL10WA88Y	GOSUN	RGBCW	600-600lm			

### Packing



### Installation Instruction

**Installation process**

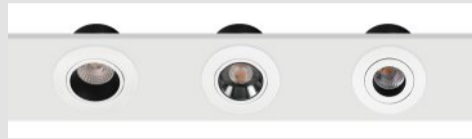
- Ceiling open
- Connect driver to the power
- Hold back spring clips. Push the downlight into position
- Installation finished

# Downlight HALO series 15W WK-CL15WA110



## Product parameter

LED power : 12.6W(36V 350mA)  
 Lamp consumption : 14.5W  
 Inner bezel : X/D/T  
 Input voltage : 200-240vAC(PF>0.9)  
 UGR : 8-12  
 Size :  $\phi 110 \times H80$ mm(cutout: $\phi 95-100$ mm)  
 Life span : 50,000 hrs  
 Warranty : 5 years  
 Beam angle : 15°/24°/36°/60°  
 Color of frame : white, black,customized

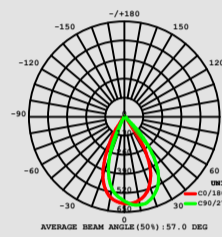
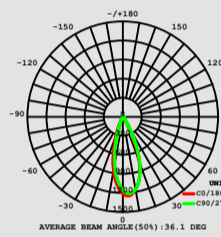
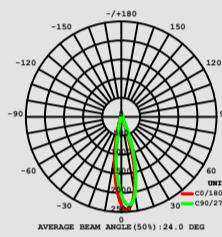
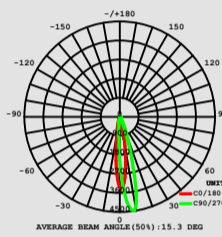


2700K | 3000K | 3500K | 4000K | 5000K | 6000K |



## Dimmable

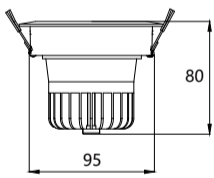
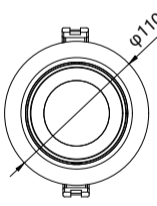
Single color dimmable TRIAC/0-10V/DALI 1800-3000k dim to warm TRIAC/0-10v  
 2700k 3000k 3500k 4000k 5000k 6000k 1800k-3000k  
 2700-6000K tunable 2.4G/DALI DT8/Casambi RGBW DMX512/ TUJA  
 2700k-6000k



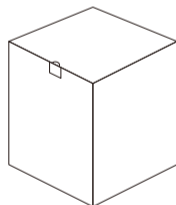
## Datasheet

Part No.	COB brand	CCT	Output			Beam angle
			CRI80	CRI90	CRI96	
WK-CL15WA110E	GOSUN 1203	2700K-7000K single color	1200-1400lm	1000-1200lm	900-1000lm	15°/24°/36°/60°
WK-CL15WA110C	CITIZEN 1203		1300-1500lm	1200-1400lm	1000-1100lm	
WK-CL15WA110D	Bridgelux	1800-3000k dim to warm	no	900-1000lm	800-900lm	
WK-CL15WA110T	TYANSHINE	2700-5700k CCT tunable	no	800-1000lm	no	
WK-CL15WA110Y	GOSUN	RGBCW	900-1200lm			

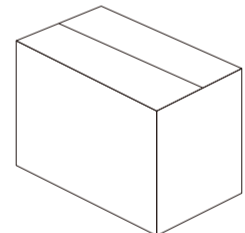
## Packing



cutout: $\phi 95-100$ mm

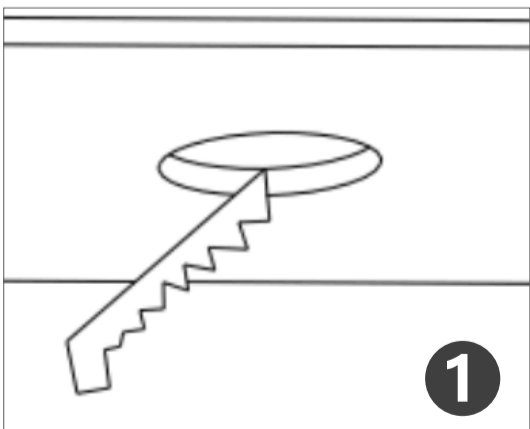


13.5x13.5x10.5cm

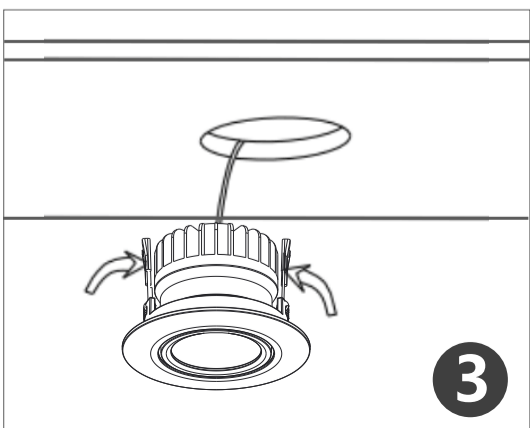


42X42X33.5cm(27 pcs/carton, 13.8kg)

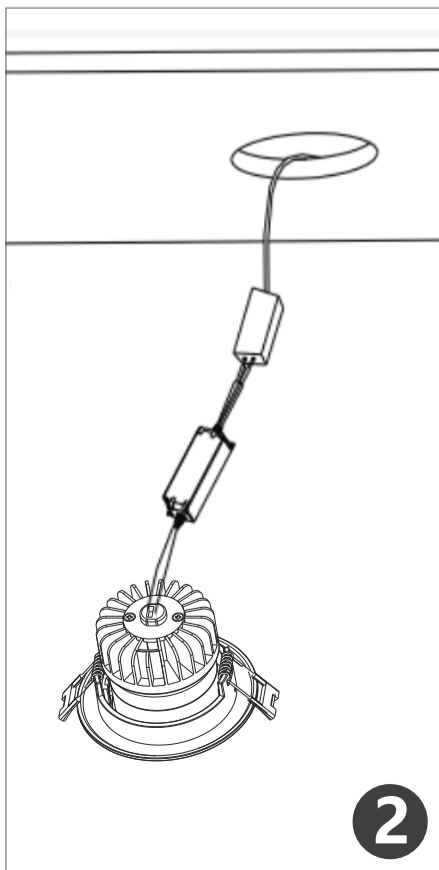
## Installation Instruction



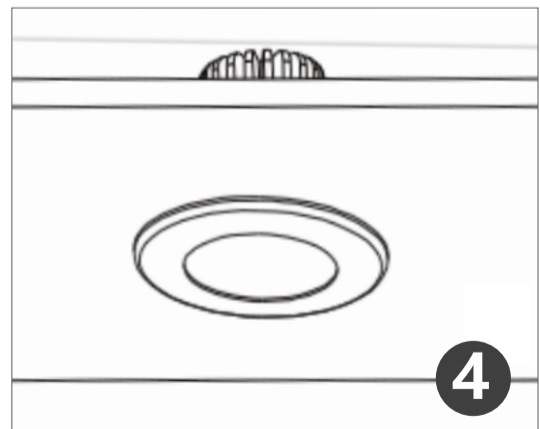
1



3



2



4

### Installation process

- 1.Ceiling open
- 2.Connect driver to the power
- 3.Hold back spring clips. Push the downlight into position
- 4.Installation finished

# Downlight HALO series 20W WK-CL20WA145



## Product parameter

LED power : 18W(36V 500mA)  
 Lamp consumption : 20W  
 Inner bezel : X/D  
 Input voltage : 200-240vAC(PF>0.9)  
 UGR : 8-12  
 Size :  $\phi 145 \times H105$ mm(cutout: $\phi 118-132$ mm)  
 Life span : 50,000 hrs  
 Warranty : 5 years  
 Beam angle : 15°/24°/36°/60°  
 Color of frame : white, black,customized

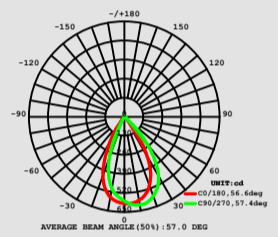
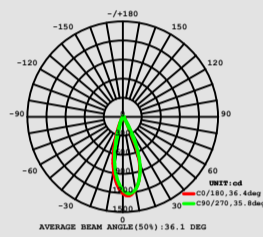
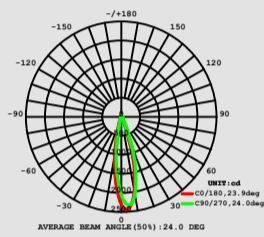
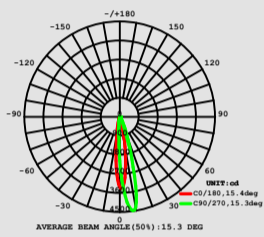


2700K | 3000K | 3500K | 4000K | 5000K | 6000K |



## Dimmable

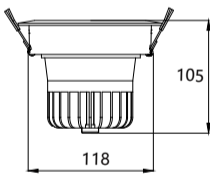
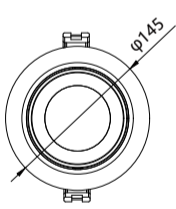
Single color dimmable TRIAC/0-10V/DALI 1800-3000k dim to wa rm TRIAC/0-10v  
 2700k 3000k 3500k 4000k 5000k 6000k 1800k-3000k  
 2700-6000K tunable 2.4G/DALI DT8/Casambi RGBW DMX512/ TUJA  
 2700k-6000k



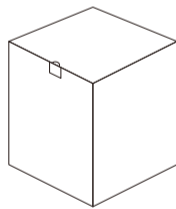
## Datasheet

Part No.	COB brand	CCT	Output			Beam angle
			CRI80	CRI90	CRI96	
WK-CL20WA145E	GOSUN 1204	2700K-7000K single color	1800-2000lm	1700-1900lm	1600-1700lm	15°/24°/36°/60°
WK-CL20WA145C	CITIZEN 1204		1800-2000lm	1700-1900lm	1600-1700lm	
WK-CL20WA145D	Bridgelux	1800-3000k dim to warm	no	1300-1500lm	1200-1300lm	
WK-CL20WA145T	TYANSHINE	2700-5700k CCT tunable	no	1200-1500lm	no	
WK-CL20WA145Y	TYANSHINE	RGBW	1200-1500lm			

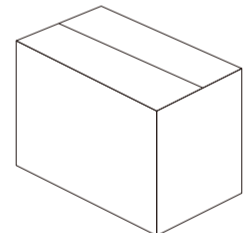
## Packing



cutout: $\phi 118-132$ mm

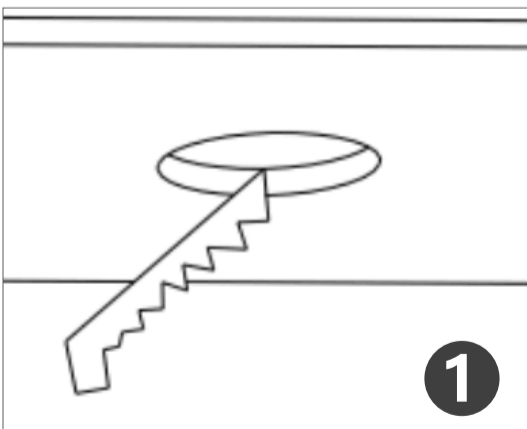


16x16x12.8cm

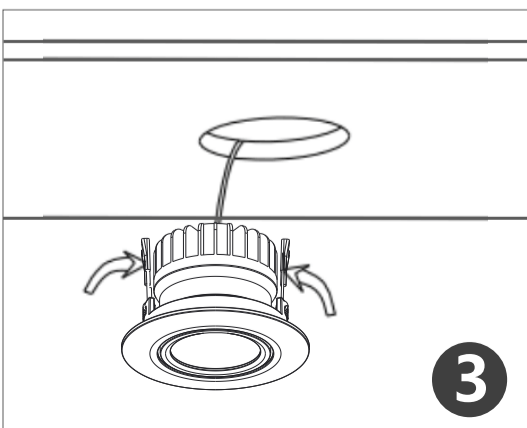


49.5X33.5X40.5cm(18 pcs/carton, 13.8kg)

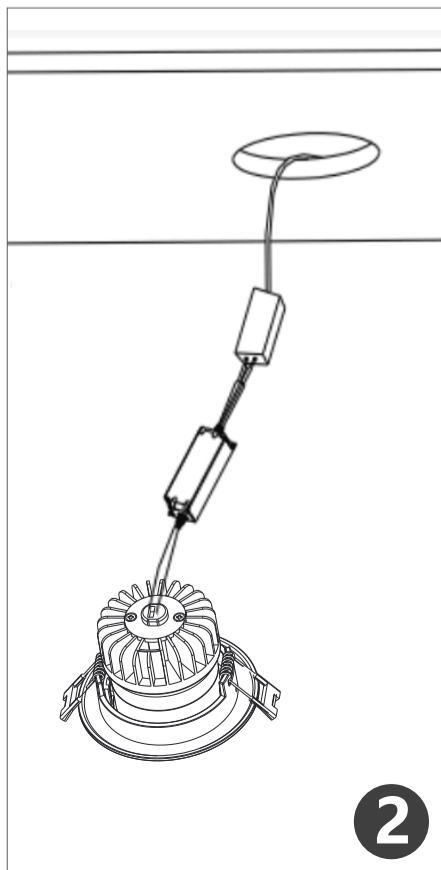
## Installation Instuction



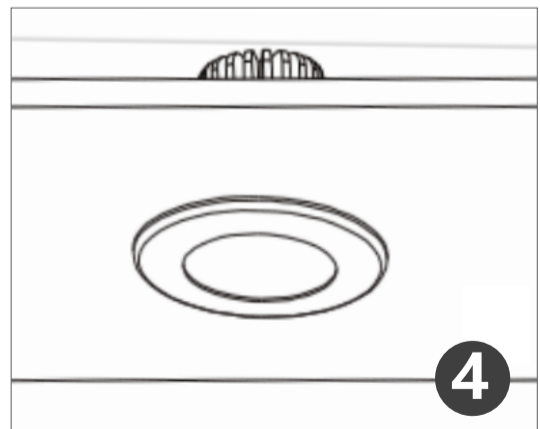
1



3



2



4

### Installation process

- 1.Ceiling open
- 2.Connect driver to the power
- 3.Hold back spring clips. Push the downlight into position
- 4.Installation finished



# Downlight HALO series 32W WK-CL32WA170



## Product parameter

LED power : 28.8W(36V 800mA)  
 Lamp consumption : 32W  
 Inner bezel : X  
 Input voltage : 200-240vAC(PF>0.9)  
 UGR : 8-12  
 Size :  $\varnothing 170 \times H120$ mm(cutout: $\varnothing 145-155$ mm)  
 Life span : 50,000 hrs  
 Warranty : 5 years  
 Beam angle : 15°/24°/36°/60°  
 Color of frame : white, black,customized

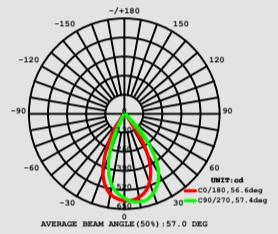
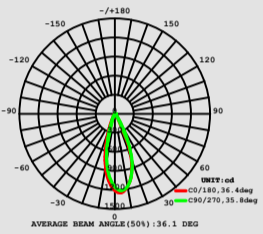
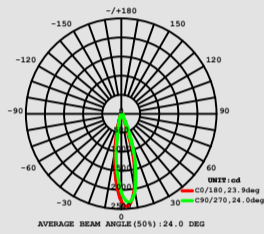
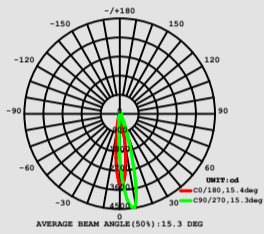


2700K | 3000K | 3500K | 4000K | 5000K | 6000K |



## Dimmable

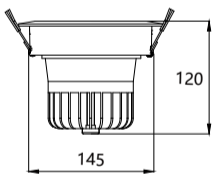
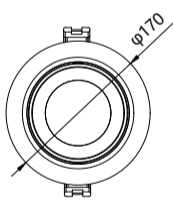
Single color dimmable TRIAC/0-10V/DALI 1800-3000k dim to wa rm TRIAC/0-10v  
 2700k 3000k 3500k 4000k 5000k 6000k 1800k-3000k  
 2700-6000K tunable 2.4G/DALI DT8/Casambi RGBW DMX512/ TUJA  
 2700k-6000k



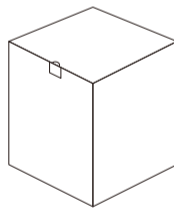
## Datasheet

Part No.	COB brand	CCT	Output			Beam angle
			CRI80	CRI90	CRI96	
WK-CL32WA170E	GOSUN 1207	2700K-7000K single color	3000-3200lm	2800-3000lm	2700-2900lm	15°/24°/36°/60°
WK-CL32WA170C	CITIZEN 1206		3200-3400lm	3000-3200lm	2800-3000lm	
WK-CL32WA170D	Bridgelux	1800-3000k dim to warm	no	2100-2200lm	1900-2100lm	
WK-CL32WA170T	TYANSHINE	2700-5700k CCT tunable	no	1800-2200lm	no	
WK-CL32WA170Y	TYANSHINE	RGBW	2000-2500lm			

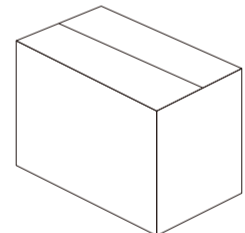
## Packing



cutout: $\varnothing 145-155$ mm



18.5x18.5x14.2cm



57X38.5X44.6cm(18 pcs/carton, 18.7kg)